

规格 JOPTF0078P 绿色座

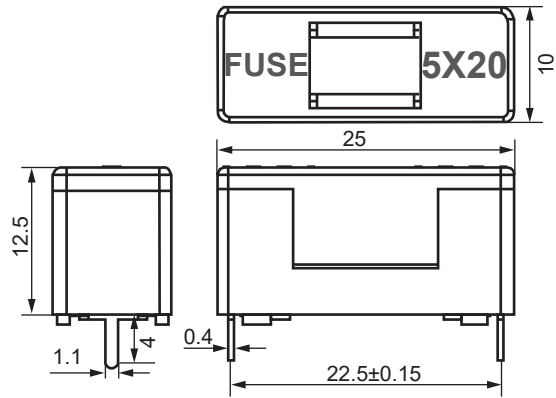
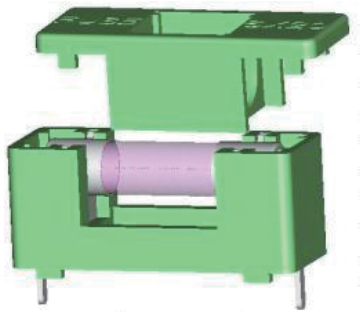
文件号 A-2023-JOPTF0078P-G

版本1

Description

JOPTF0078P green shell is 5*20 Fuse holder, 6.3A Rate Current, 250Vac Maximum Voltage, Suitable for PCB circuit protection.

Shape and Size (mm)



引脚尺寸 22.1 为引脚外侧量取，其他非关键尺寸公差 ± 0.3 mm

Structure	Material	Marked
Shell	PA66	UL 94 V0
Pin	H62 nickel plating	-

Electrical Performance

Model	For Fuse	Rated Ampere	Rated Voltage	Operating Power	Insulation Resistance	Di-electronic Strength
JOPTF0078P	5*20mm	6.3A	250V	1.6W	>100MΩ	>300Vac/60'

Package and Assembly

Model	Qty	Assembly
JOPTF0078P	1000Pcs/Bag	Reflow welding